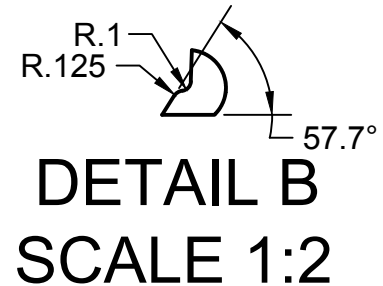
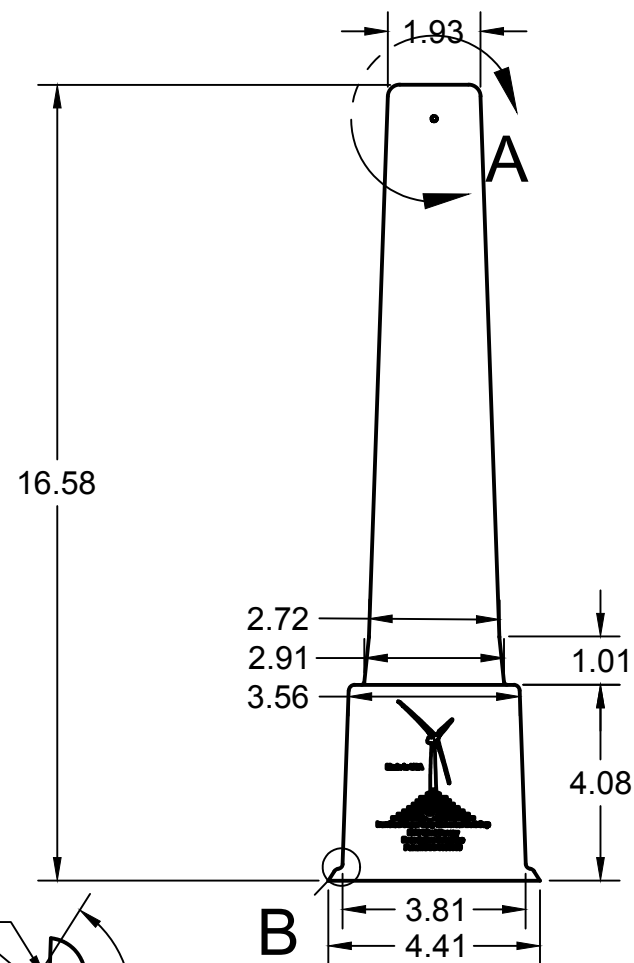
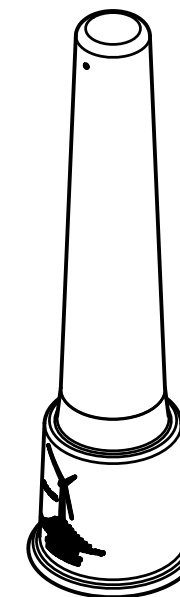
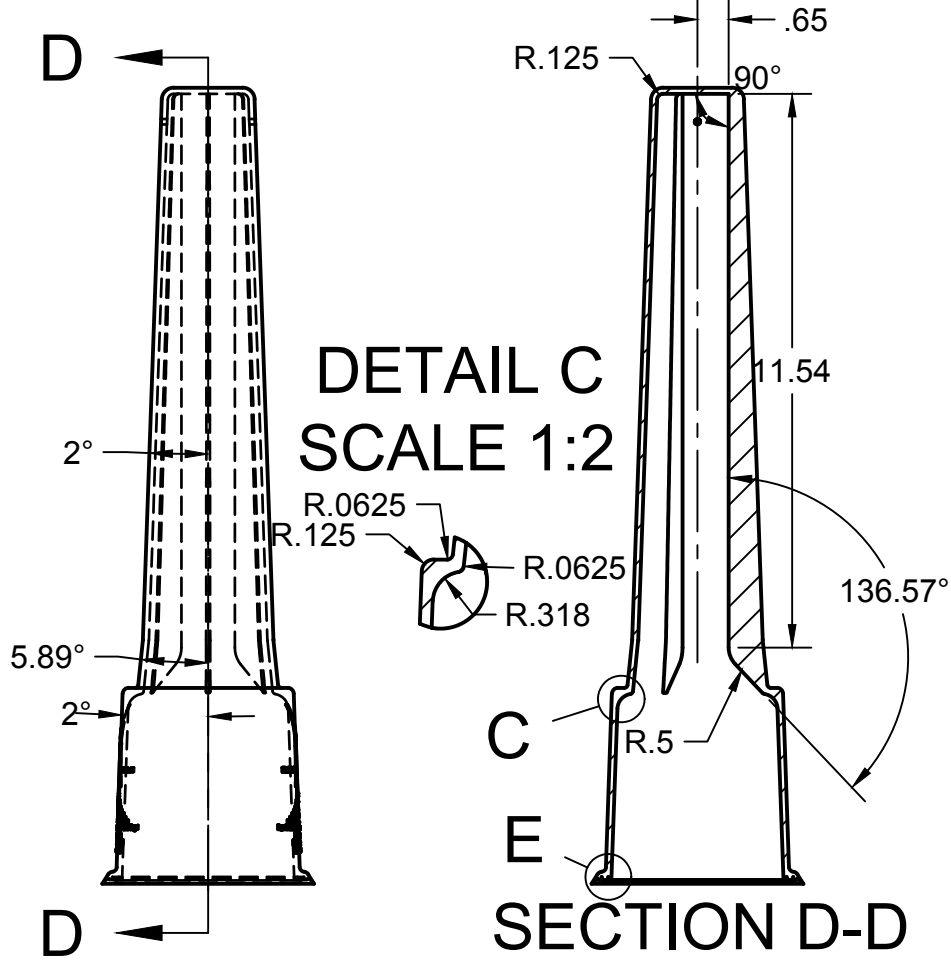
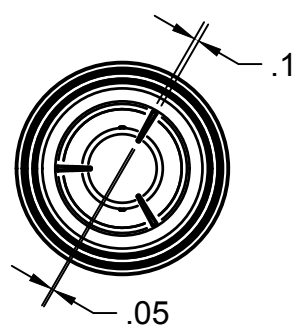


**DETAIL A**  
SCALE 1:2

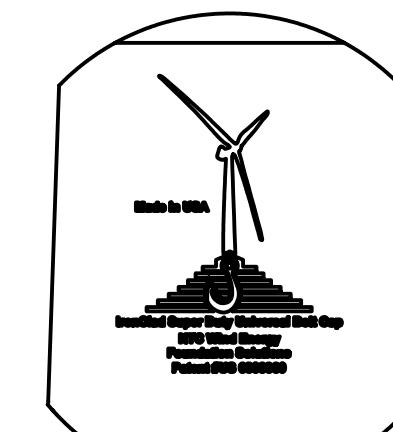
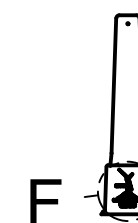


**DETAIL B**  
SCALE 1:2

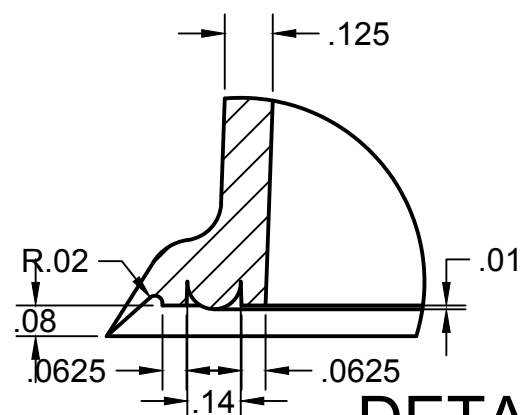


**DETAIL C**  
SCALE 1:2

**SECTION D-D**  
SCALE 1:4



**DETAIL F**  
SCALE 1:2



**DETAIL E**  
SCALE 2:1

APPROVED		PROJECT		
		TITLE <b>Super duty Bolt cover</b>		
CHECKED	SIZE B	CODE	DWG NO	REV
DRAWN Peter Leblanc	9/19/2019	SCALE 1:4	WEIGHT	SHEET 1/1